

LS 100

LED Range Light

The LS 100 LED signal is designed for applications requiring short and medium range directional light, such as range lights and port traffic signals.

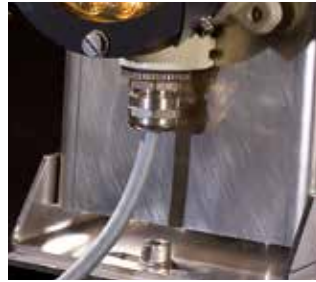
- **Small and compact lantern**
- **Intensity adjustable in three steps from 25 % to 100 %**
- **Fully waterproof housing with PTFE vent for breathing**
- **Visual range from 2 to 12 NM (TC = 0,74)**
- **Standard IALA colours Red, Green, White and Yellow**
- **Low power consumption, ideal for solar system**
- **External Sabik SMC Flasher can be connected to the light**
- **Optional external GPS synchronization**
- **Optional external GSM Remote monitoring**





Sun shield

Protects lens from dust and bird droppings, and improves contrast in daytime.



Mounting pedestal

The optional adjustable pedestal in AISI 316 stainless steel enables an easier alignment of the pencil beam with assistance of a precision gun sight.



Installation

The mounting pedestal has an integrated holder for an eye sight tool.



Polycarbonate lens

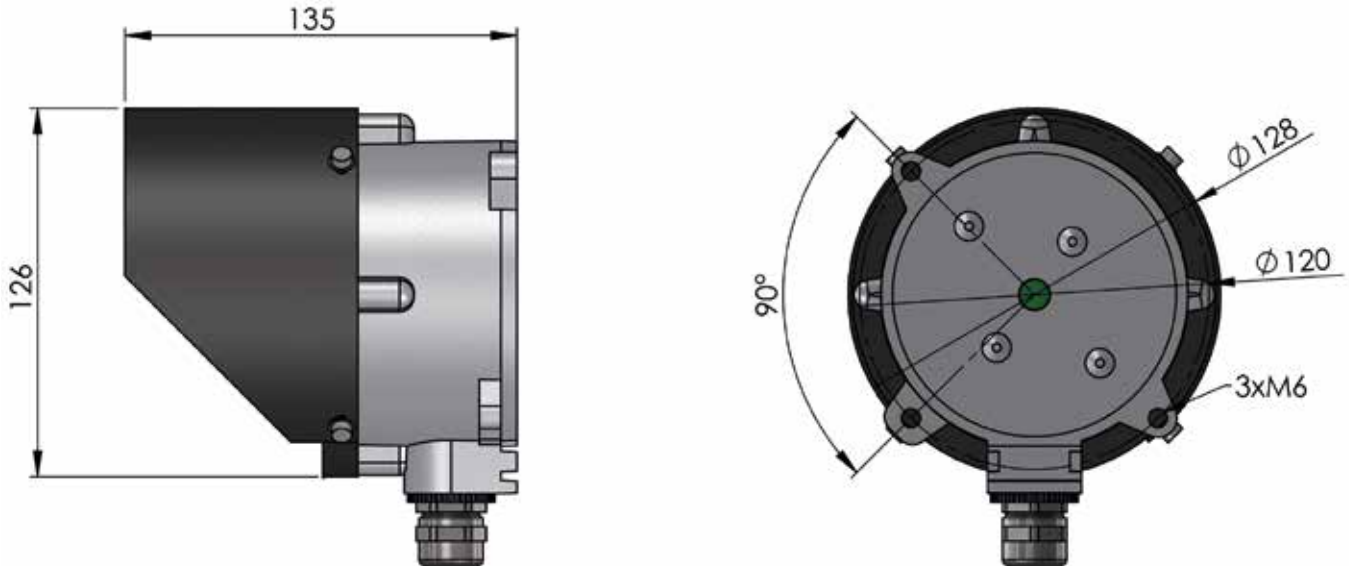
The optical lens consists of 24 pcs miniature Fresnel elements creating a high efficiency precision beam.



Sabik LHC Controller

When remote monitoring or more functionality is needed, like flash character, intensity setting etc. Sabik LHC Controller can be used together with the light.

Technical Specification LS 100



Optical performance

Maximum fixed intensity

At full power **3.000 cd** 3.000 cd 4.000 cd 4.000 cd

Main Technical Specification

Lens visual/Mechanical diameter	100 mm
Lens material	UV stabilized Polycarbonate
Light source	Light Emitting Diodes (LEDs)
Lens divergence (horizontal and vertical)	4° @ 50% (± 1°) of peak intensity 8° @ 10% (± 2°) of peak intensity
Unit lifetime	Up to 10 years
Weight	1.5 kg with integrated flasher
Temperature range	-40°...+60°C
Supply Voltage	9 – 28 VDC
Power consumption	R/Y: 3.5 W W/G: 2.5 W

Order Overview LS 100

Option matrix

LHC Controller	Used as external flasher
----------------	--------------------------

Product codes

LS 100 STANDARD without LEDFLASHER	Colour
LS 100W	white
LS 100W	red
LS 100G	green
LS 100Y	yellow