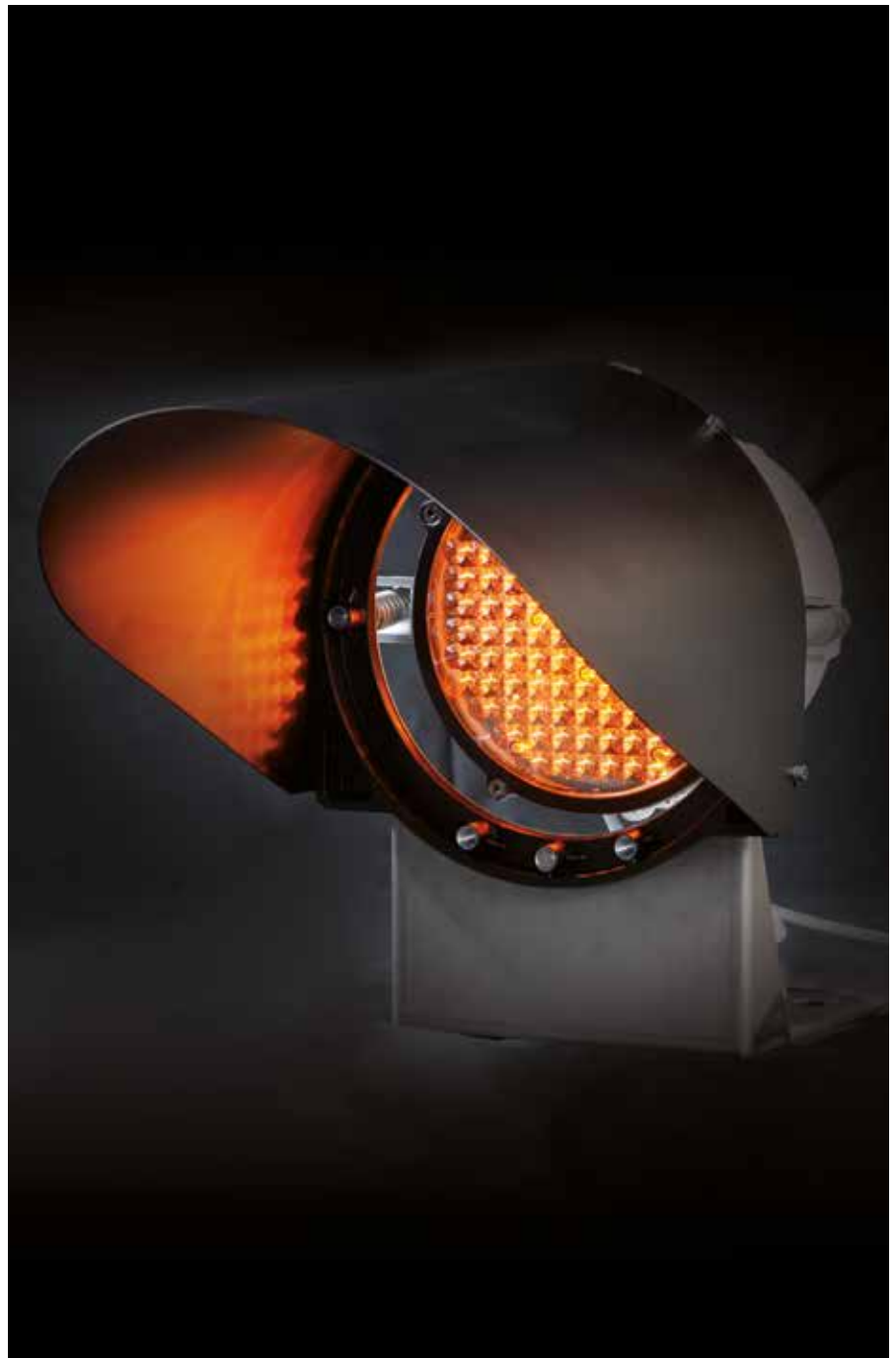


LO 200

High Intensity LED Range Light Signal

The LO 200 signal is designed for applications requiring medium and long range directional light, such as range lights and port entry signals.

- **High intensity precision range light**
- **Intensity adjustable from 5% to 100%**
- **Housing fully waterproof with PTFE vent for breathing**
- **Visual range up to 15 NM (Tc = 0,74)**
- **Standard IALA colours Red, Green, White and Yellow**
- **Low power consumption, ideal for solar system**
- **Flasher with daylight switch integrated with the lantern**
- **Integrated 16 ampere PWM solar panel regulator when flasher is integrated**
- **Programmable with Sabik standard IR programming devices**
- **Optionally internal GPS synchronization**
- **Optional night time reduction if operated day and night**
- **Equipped with Bluetooth programming**





Aluminium housing

The lantern enclosure is made from marine grade aluminium.



Sun shield

Protects lens from dust and bird droppings. Improves contrast in daytime use.



Installation

The lantern can easily be installed on any flat surface with four M10 size bolts.



PTFE breathing

Vent for pressure release in the back of the lantern.



Polycarbonate lens

The optical lens consists of 120 pcs miniature Fresnel elements creating a high efficient precision beam.



Sabik Easy Programmer

User friendly and compact wireless two-way programmer.



Precision alignment

A gun sight can be utilized for precision alignment to the center line of the range.



Level indicator

The integrated level indicator makes horizontal levelling easy.



Light beam adjustment

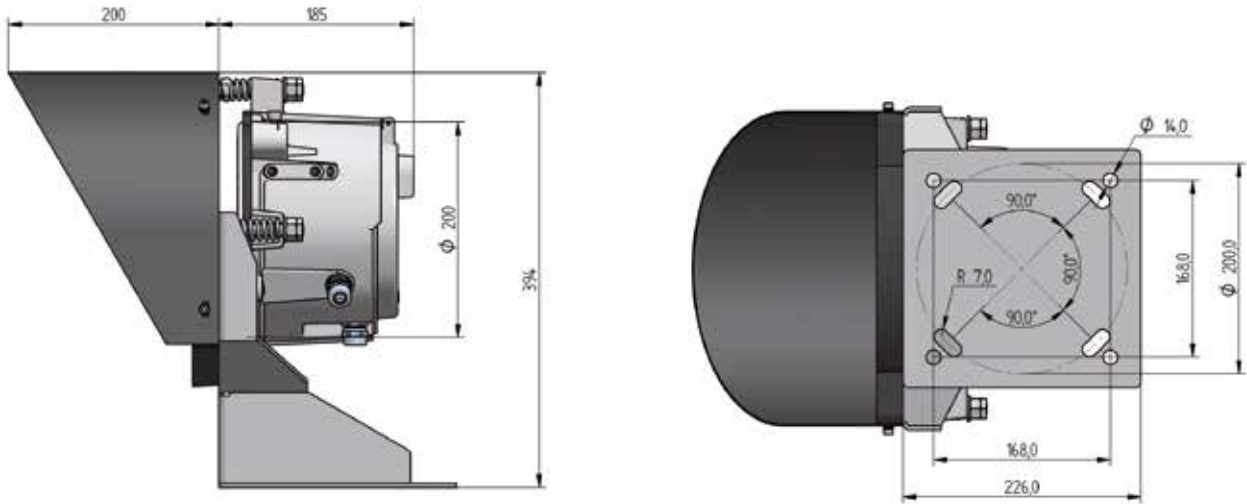
The direction of the light beam can be adjusted with 3 bolts. The 3 axis adjustment system enables both vertical and horizontal alignment.



Bluetooth® Control

Lantern can be programmed and controlled up to 50 meters distance with standard android and iOS mobile phones.

Technical Specification LO 200



Optical performance

Maximum fixed intensity

| | | | | |
|--------------------------|------------------|------------------|-----------|-----------|
| At full power 12/15 W | 20.000 cd | 20.000 cd | 25.000 cd | 20.000 cd |
|--------------------------|------------------|------------------|-----------|-----------|

Main Technical Specification

| | |
|--|--|
| Lens visual/Mechanical diameter | 203 mm (8") |
| Lens material | UV stabilized Polycarbonate |
| Light source | Light Emitting Diodes (LEDs) |
| Lens divergence (horizontal and vertical) | 4° @ 50 % (± 1°) of peak intensity 8° @ 10 % (± 2°) of peak intensity |
| Unit lifetime | Up to 10 years |
| Weight | 8 kg |
| Temperature range | -40°...+60°C |
| Supply Voltage | 9 – 32 VDC |
| Power consumption | 15 watts red /yellow, 12 watts green/ white at full intensity |
| Degree of protection | IP 66 |

Order Overview LO 200

Option matrix

| | |
|--|--|
| OPT 4: GPS sync | Integrated GPS sync excluding GPS antenna |
| OPT 7: External GPS | External GPS antenna for OPT 4 and OPT 9 |
| OPT 9: LightGuard GSM + GPS | Integrated GSM based monitoring including GSM antennas |
| OPT 10: LightGuard GSM | Integrated GSM based monitoring including GSM antenna |
| OPT 11: Control card | Control card for secondary battery |
| OPT 12: Aux card with I/O | Aux card including I/O ports |
| OPT 13: Aux card with RS485 and I/O | Aux card including RS 485 and I/O port |
| Shock & Tilt Sensor | Integrated 3-axis G sensor for tilt and shock sensing |

Product codes

| Product | Colour |
|---------|--------|
| LO 200W | white |
| LO 200R | red |
| LO 200G | green |
| LO 200Y | yellow |

Product code example: LO 200G.11

- **LO 200G** is Sabik code for LO 200 in green
- **11** is a selection of option 11 Control Card