

## LO 200H

### High Intensity LED Range Light Signal

The LO 200H signal is designed to be used as a long range directional light, a port entry signal or a lock traffic signal where long range and high visibility are required. Thanks to the high luminous output, this light can also be used in applications requiring daytime visibility.

The lantern housing forms a solid single-piece heat sink for the high power LEDs, offering the best possible thermal management and ensuring a long lifetime

- **High intensity precision range light equipped with high power LEDs**
- **Intermediate horizontal and vertical beam of 8° (FWHM)**
- **Integrated sun shield to protect lens from dirt and improve contrast**
- **Integrated 3-axis alignment of beam for easy installation**
- **Aluminium housing fully waterproof with PTFE vent for breathing**
- **Visual range up to 18 NM (Tc = 0.74)**
- **Standard IALA colours Red, Green, White and Yellow**
- **The range light has an integrated LED driver, but no flasher or photocell**
- **For additional functionality, the Sabik LHC unit can be connected to the lantern**
- **The range light is delivered with an acid-proof steel mounting mechanism**





### Aluminium housing

The aluminium housing is equipped with cooling elements on the back side of the enclosure.



### Sun shield

Protects lens from dust and bird droppings. Improves contrast in daytime use of the lantern.



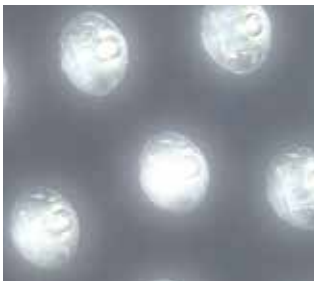
### Installation

The lantern can easily be installed on a flat surface with four M10 size bolts.



### Cable entry

Cable entry and PTFE breathing vent are from the back of the lantern.



### High power LEDs

The performance of the range light has been achieved thanks to high power LEDs with individual lenses.



### Light beam adjustment

The direction of the light beam can be adjusted with 3 bolts. The 3 axis adjustment system enables both vertical and horizontal alignment.



### Sabik Easy Programmer

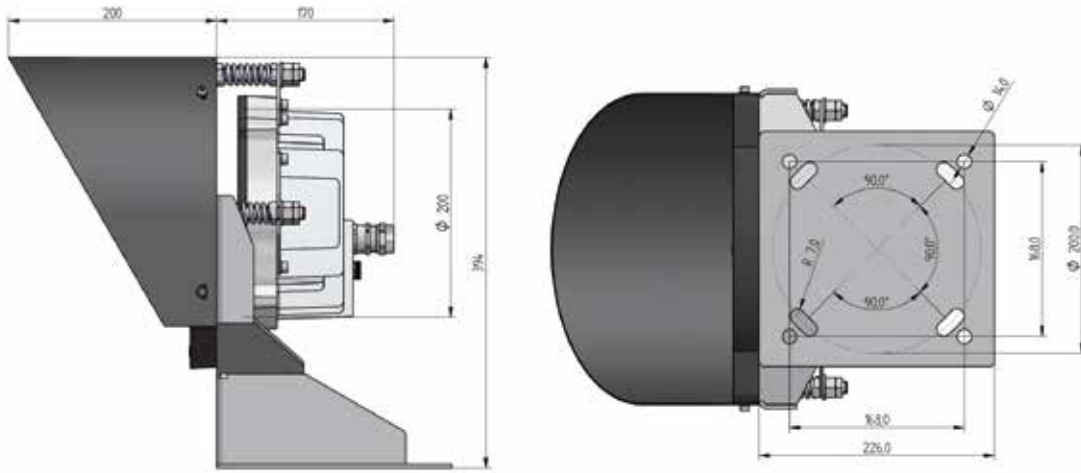
User friendly and compact wireless two-way programmer.



### Sabik LHC Controller

When remote monitoring or more functionality is needed, like flash character, intensity setting etc. Sabik Lighthouse Controller can be used together with the light.

## Technical Specification LO 200H



### Optical performance

#### Maximum fixed intensity

|                       |                  |                  |                   |                  |
|-----------------------|------------------|------------------|-------------------|------------------|
| At full power<br>50 W | <b>50.000 cd</b> | <b>70.000 cd</b> | <b>100.000 cd</b> | <b>50.000 cd</b> |
|-----------------------|------------------|------------------|-------------------|------------------|

### Main Technical Specification

|                                                      |                                                                          |
|------------------------------------------------------|--------------------------------------------------------------------------|
| <b>Lens visual/Mechanical diameter</b>               | 200 mm (8")                                                              |
| <b>Lens material</b>                                 | UV stabilized Polycarbonate                                              |
| <b>Light source</b>                                  | High Power Light Emitting Diodes (LEDs)                                  |
| <b>Lens divergence<br/>(horizontal and vertical)</b> | 8° @ 50 % (± 1°) of peak intensity<br>15° @ 10% (± 2°) of peak intensity |
| <b>Unit lifetime</b>                                 | Up to 10 years                                                           |
| <b>Weight</b>                                        | 10 kg                                                                    |
| <b>Temperature range</b>                             | -40°...+60°C                                                             |
| <b>Supply Voltage</b>                                | 20 – 30 VDC                                                              |
| <b>Power consumption</b>                             | 50 watts                                                                 |
| <b>Degree of protection</b>                          | IP 66                                                                    |

## Order Overview LO 200H

### Option matrix

| Sabik LHC, External marine flasher |                                                                              |
|------------------------------------|------------------------------------------------------------------------------|
|                                    | <b>LHC Flasher c/w photocell</b>                                             |
| 980091                             | LHC controller with photocell, GPS sync incl. antenna, holder and coax cable |
| 980090                             | LHC controller with GSM/GPS, GPS and GSM antenna, holder and coax cable      |
|                                    | LHC external IP 66 300x400x130 polycarbonate enclosure with terminals        |

### Product codes

| Product  | Colour |
|----------|--------|
| LO 200HW | white  |
| LO 200HR | red    |
| LO 200HG | green  |
| LO 200HY | yellow |